

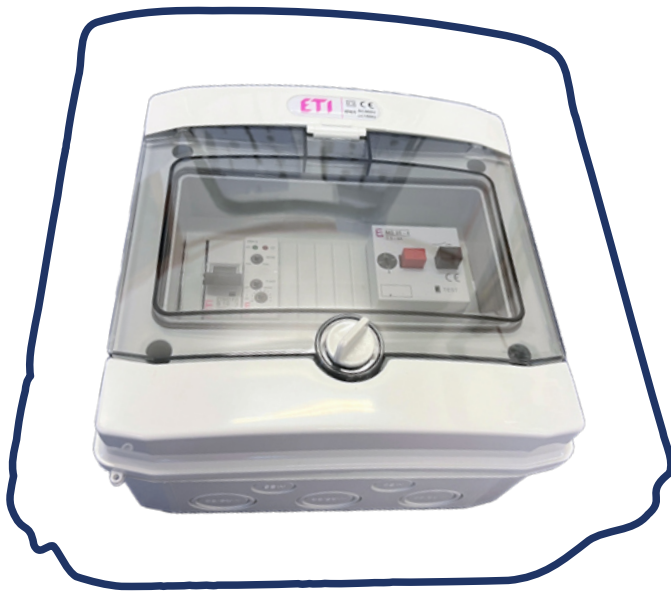
Switchboards for level and pressure monitoring **HRH-ECH and TPS-ECH**

Simply automate the operation of the pump wherever it is necessary to drain conductive liquids from the tank when the maximum level is reached.

- Automation of pump start-up in tanks with conductive liquid
- The set has MCB only for relay and contactor only. It is necessary to install a suitable circuit breaker for the pump
- The switchgear is UV-resistant, IP65.
- Choice of monitoring one or two levels
- Probes are not included - can be supplied.
- Supply voltage: 230V (50-60Hz)
- One or two level monitoring

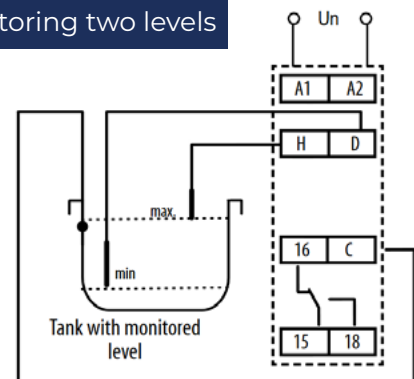
A set of switches for automatic operation of 1 and 3-phase pumps. In several versions. The contactor version does not load the relay with higher motor currents, the pump switching is done by a motor contactor with contacts rated for AC3 loads. Everything is prepared and wired in a plastic ECH switchboard with IP65 protection and transparent door.

Cable glands are included in the package.

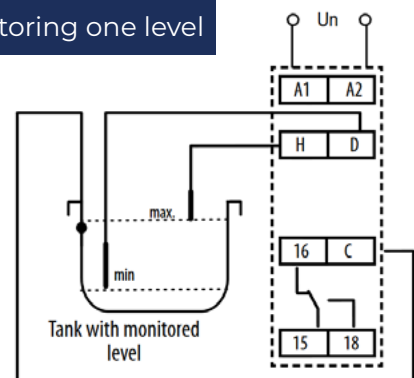


Principle of connection

Monitoring two levels



Monitoring one level

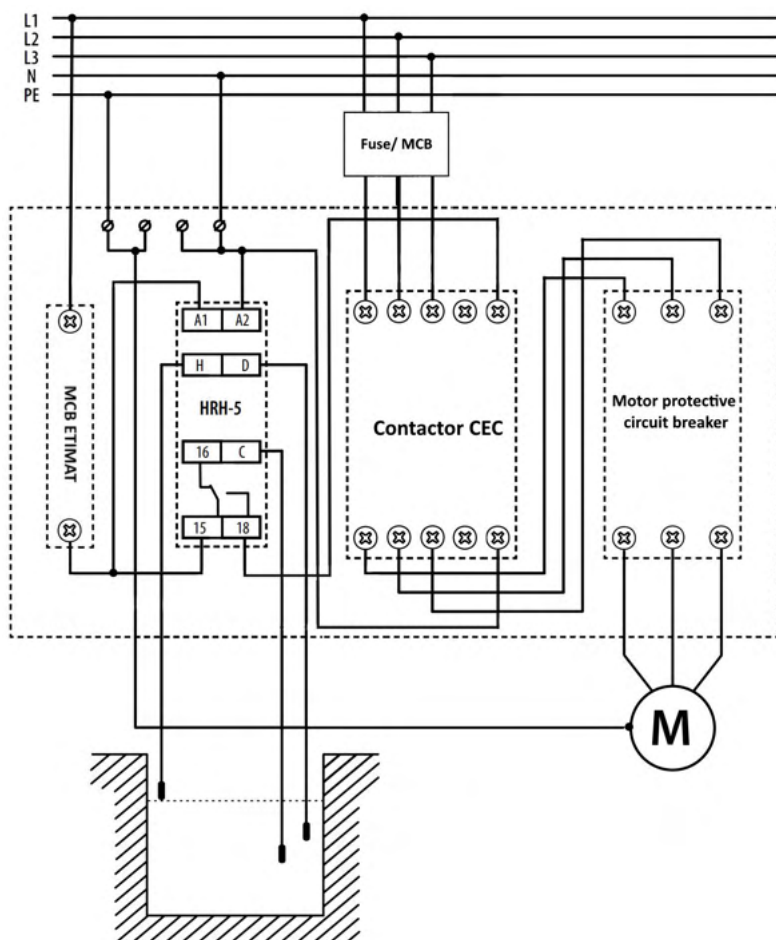
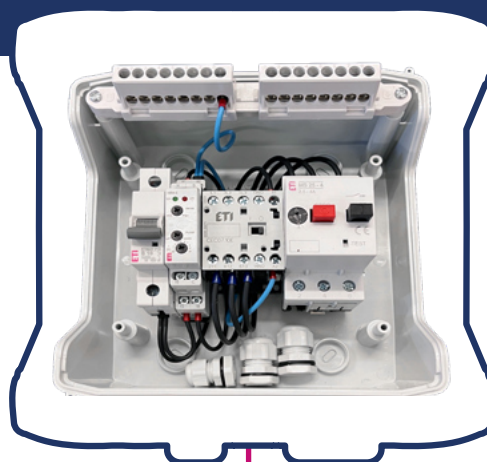


HRH-ECH-MS-CEC

Equipped level control switchboards HRH-ECH-MS-CEC with level switch, motor starter and contactor for 3-phase pumps in wall-mounted plastic ECH-8

- Motor starter with protection against overload and short-circuit protection, depending on motor power
- Circuit breaker short-circuit resistance 10kA
- Level relay HRH-5
- Contactor CEC 09 or CEC16.10-230V-50/60Hz

| Order code | Name | Contactor | Motor current (A) | Motor power (kW) |
|------------|------------------|-----------|-------------------|------------------|
| 004483610 | TPS-ECH-MS2-CEC | CEC09 | 1,6-2,5 | 0,75 |
| 004483611 | TPS-ECH-MS4-CEC | | 2,5-4 | 1,1-1,5 |
| 004483612 | TPS-ECH-MS6-CEC | | 4-6,3 | 2,2-2,5 |
| 004483613 | TPS-ECH-MS10-CEC | CEC016 | 6,3-10 | 3-4 |



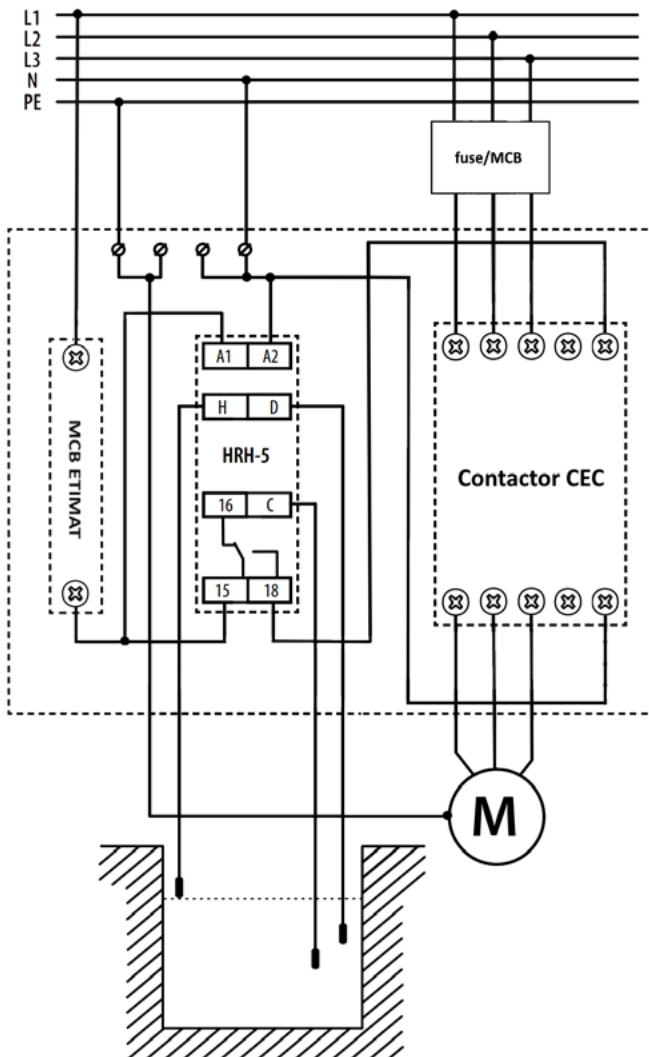
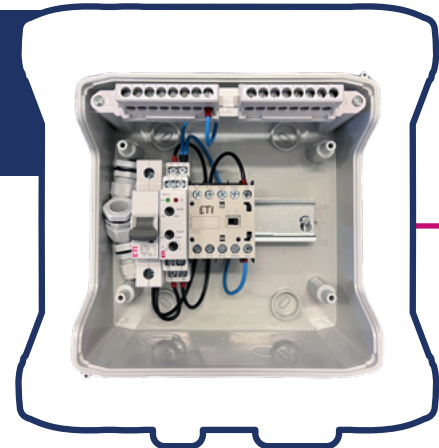
Can also be manufactured for other pump motor outputs on request

HRH-ECH-CEC

Equipped level control switchboards with level switch and contactor for 3-phase pumps in wall-mounted plastic ECH-8

- Circuit breaker short-circuit resistance 10kA
- Level relay HRH-5
- Contactor CEC 09 or CEC16.10-230V-50/60Hz

| Order code | Name | Contactor | Motor current (A) | Motor power (kW) |
|------------|---------------|-----------|-------------------|------------------|
| 004483608 | HRH-ECH-CEC09 | CEC09 | 6,3 | 2,5 |
| 004483609 | HRH-ECH-CEC16 | CEC016 | 16 | 5,5 |



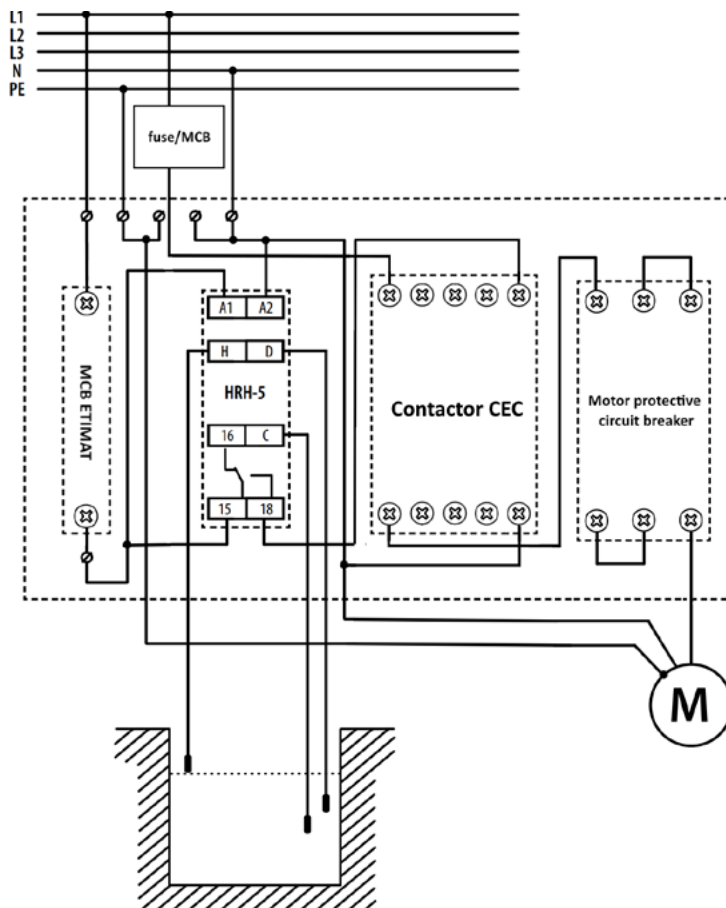
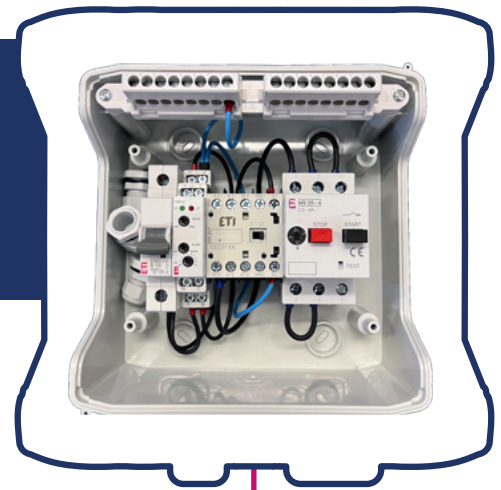
Can also be manufactured for other pump motor outputs on request

HRH-ECH-MS1F-CEC

Equipped level control switchboards with level switch, motor starter and contactor for 1-phase pumps in wall-mounted plastic ECH-8

- Circuit breaker short-circuit resistance 10kA
- Level relay HRH-5
- Contactor CEC 09 or CEC16.10-230V-50/60Hz
- Motor starter with protection against overload and short-circuit protection, depending on motor power

| Order code | Name | Contactor | Motor current (A) | Motor power (kW) |
|------------|--------------------|-----------|-------------------|------------------|
| 004483604 | HRH-ECH-MS41F-CEC | CEC09 | 2,5-4 | 0,37-0,55 |
| 004483605 | HRH-ECH-MS61F-CEC | | 4-6,3 | 0,55-0,75 |
| 004483606 | HRH-ECH-MS101F-CEC | CEC016 | 6,3-10 | 1,1-1,5 |
| 004483607 | HRH-ECH-MS161F-CEC | | 10-16 | 2,2 |



TPS-ECH-MS-CEC

Equipped switchgear for float and digital pressure switches, with level switch, motor starter and contactor for 3-phase pumps in wall-mounted plastic ECH-8

- Circuit breaker short-circuit resistance 10kA
- Contactor CEC 09 or CEC16.10-230V-50/60Hz
- Motor starter with protection against overload and short-circuit protection, depending on motor power

| Order code | Name | Contactor | Motor current (A) | Motor power (kW) |
|------------|------------------|-----------|-------------------|------------------|
| 004483610 | TPS-ECH-MS2-CEC | CEC09 | 1,6-2,5 | 0,75 |
| 004483611 | TPS-ECH-MS4-CEC | | 2,5-4 | 1,1-1,5 |
| 004483612 | TPS-ECH-MS6-CEC | | 4-6,3 | 2,2-2,5 |
| 004483613 | TPS-ECH-MS10-CEC | CEC016 | 6,3-10 | 3-4 |

